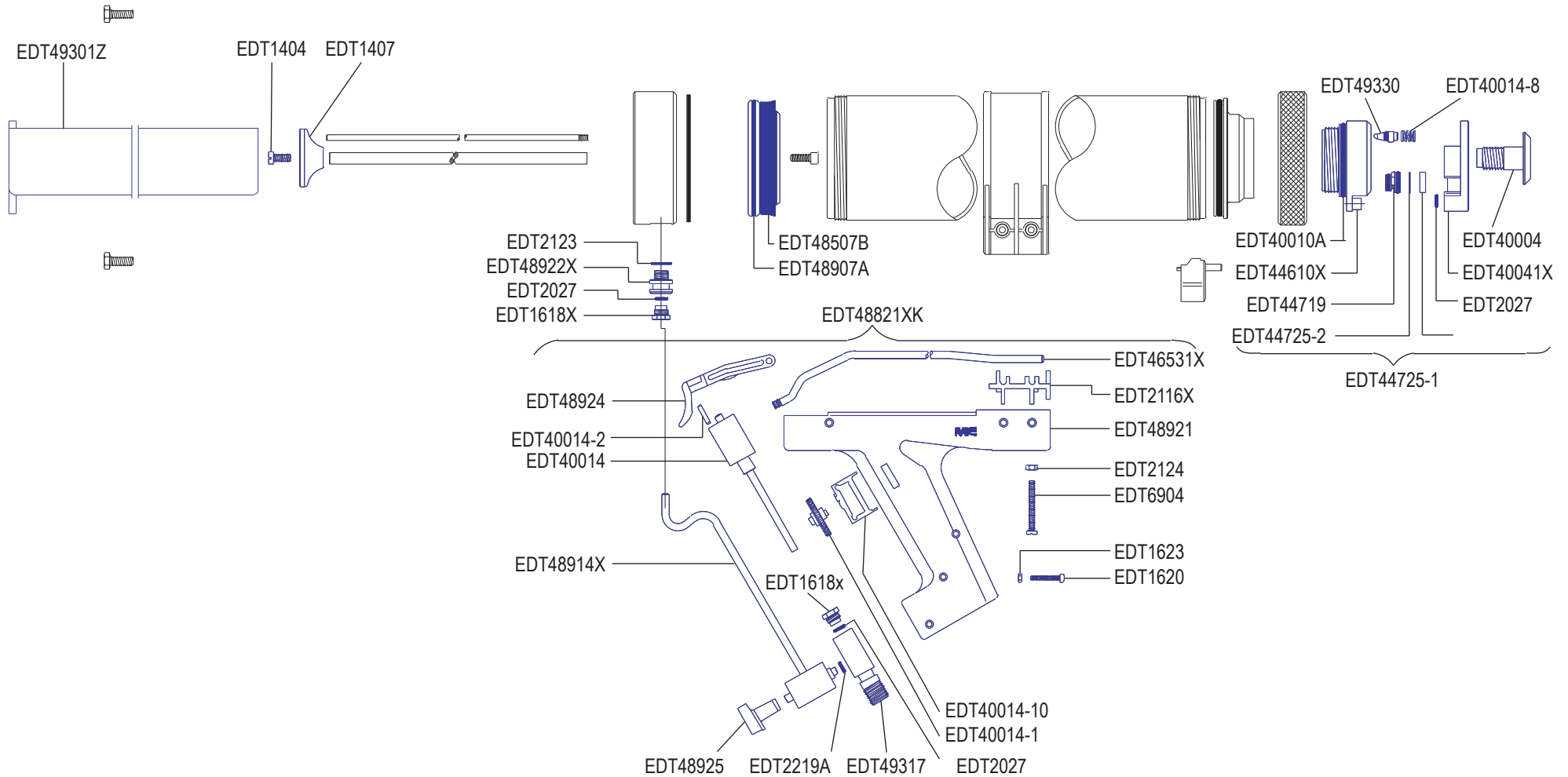


# EDT22AP Schematic



Contact your local Simpson Strong-Tie Anchor Systems Distributor to purchase replacement parts.  
If you need assistance locating a distributor visit our website, <http://www.simpsonanchors.com>.